

MONACO
S C A F F O L D L T D

Extending your possibilities

SCAFFOLD FRAME

PRODUCT
CATALOGUE

MonacoScaffold.com



About Us

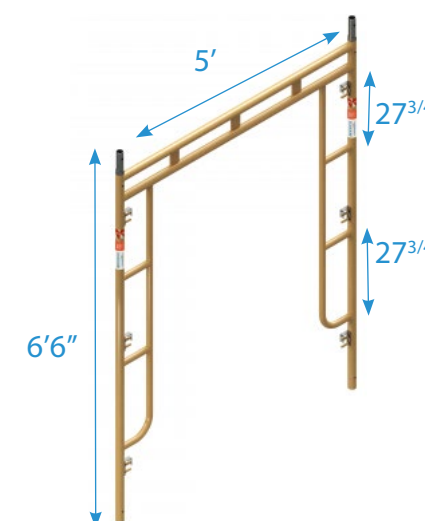
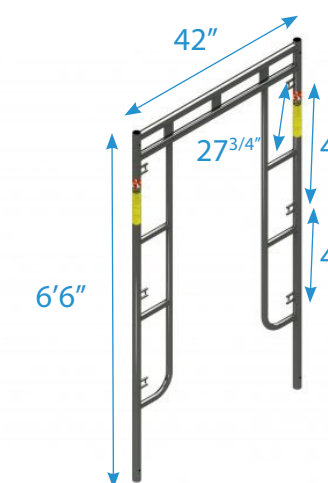
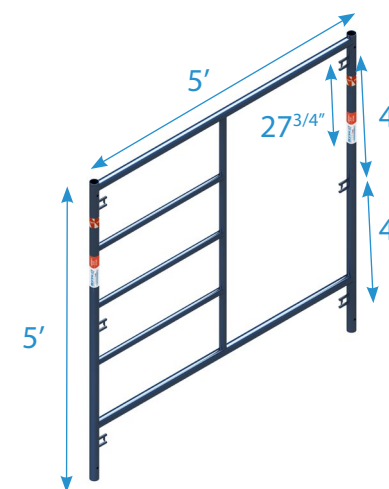
Monaco Global, is an internationally recognized organization with over 40 years experience in manufacturing, and supply of formwork and scaffolding, construction equipment.

Family owned, it takes great pride in creating products sourced from the highest grade materials, that meet the most stringent testing standards required.

Monaco Global export to many countries throughout the world and have branches in Asia, Australia and Canada.

The Canadian branch, Monaco Scaffold Ltd, is based in Toronto, and opened in 2016. Since then, it has gained a reputation, for not only supplying formwork and scaffolding products of the highest quality, but also offering our customers the benefit of the most competitive pricing.

By providing the highest quality, competitive pricing and customer service, second to none, Monaco Scaffold Ltd are your trusted partner for all your formwork and scaffolding requirements.



LADDER FRAMES

CODE	SIZE (WxH)	EST.WEIGHT
4236	5'x5' (Blue)	42.09lbs
4202	42"x6'6" (Zinc)	47.0lbs
4201	5'x3' (HDG)	35.7lbs
4200	5'x5' (HDG)	45.1lbs
4243	30"x5' (HDG)	29.5lbs

ARCH FRAMES

CODE	SIZE (WxH)	EST.WEIGHT
4206	24"x6'6" (Zinc)	47.8lbs
4204	42"x6'6" (Zinc)	47.16lbs
4242	5'x6'6" (Zinc)	64.35lbs

MASON FRAMES

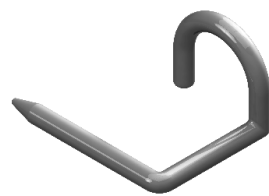
CODE	SIZE (WxH)	EST.WEIGHT
4245	24"x6'6" (Yellow)	46.9lbs
4205	3'x6'6" (Yellow)	52.89lbs
4238	4'x6'6" (Yellow)	53.79lbs
4237	5'x6'6" (Yellow)	60.4lbs
4203	5'x6'6" (HDG)	64.35lbs

CROSS BRACE



CODE	SIZE (WxH)	EST.WEIGHT
4211	4'x5'	9.7 lbs
4207	4'x7'	12.27 lbs
4210	4'x10'	16.4 lbs
4208	27 ^{3/4} "x7'	11.24 lbs
4209	27 ^{3/4} "x10'	15.4 lbs

G-LOCKS



CODE	EST.WEIGHT
4242	0.33lbs

CONNECTOR



CODE	EST.WEIGHT
4241	0.77lbs

SOCKET SCREW JACK



CODE	SIZE	EST.WEIGHT
4232	24"	10.36lbs

FAST SCREW JACK



CODE	SIZE	EST.WEIGHT
4229	24"	9.69lbs

CASTER



CODE	ITEM	EST.WEIGHT
4239	8" Rubber + Cast Iron	16.5 lbs

SOLID SCREW JACK



CODE	SIZE	EST.WEIGHT
4230	24"	11.4lbs

HOLLOW SCREW JACK



CODE	SIZE	EST.WEIGHT
4231	24"	7.5lb

SWIVEL SCREW JACK



CODE	SIZE	EST.WEIGHT
4233	24"	11lbs

GUARD RAIL



CODE	SIZE	EST.WEIGHT
4213	42"(w)	5lbs
4214	5'(w)	6.83lbs
4215	7'(L)	9.36lbs
4216	10'(L)	12.83lbs

GUARD POST



CODE	SIZE	EST.WEIGHT
4212	42"	8.5lb

SIDE BRACKET



CODE	SIZE	EST.WEIGHT
4218	12"	10.11lbs
4217	24"	13.5lbs

OUTRIGGER



CODE	SIZE	EST.WEIGHT
4228	32"	17lbs

DIAGNAL GOOSER



CODE	SIZE	EST.WEIGHT
4226	5'x7'	15.87lbs
4225	5'x10'	19.84lbs
4223	42"x7'	15.43lbs
4224	42"x10'	20.72lbs

GUARDRAIL GOOSER



CODE	SIZE	EST.WEIGHT
4222	7'	14.55lbs
4221	10'	19.40lbs

ALUMINUM TOWER STAIR FOR FRAMES



ITEM	EST. WEIGHT
Stair for 5'(H)x 7'(L) Frames	41lbs
Inner Handle	6lbs
Outer Handle	10lbs

ALUMINUM PLATFORM



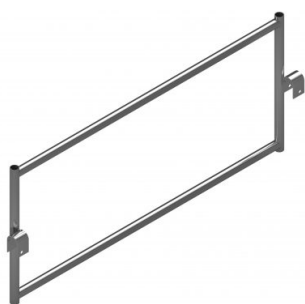
CODE	SIZE	EST.WEIGHT
4128	19"x24"	17lbs
4125	19"x3'10"	20lbs
4134	19"x5'	26lbs
4131	19"x7'	33lbs
4130	19"x10'	45lbs

STEEL PLANKS



CODE	SIZE	EST.WEIGHT
4108	24"	12.47lbs
4105	3'10"	19.39lbs
4103	5'2"	24.99lbs
4101	7'	32.35lbs
4100	10'	44.41lbs

5' END GATE



CODE	EST.WEIGHT
4235	14.3lbs

WALL ANCHOR



CODE	EST.WEIGHT
4227	9.35lbs

PLANKS CLAMPS



CODE	EST.WEIGHT
4240	8.8lbs

TRAP DOOR & LADDER ALU. PLATFORM



CODE	SIZE	EST.WEIGHT
4141	28"x7'	57.2lbs
4140	28"x10'	70.6lbs

REPLACEMENT BOARD



CODE	SIZE
3032	7'
3032	10'

WOOD PLANKS



CODE	SIZE
3400	10"x8'
3401	10"x16'



www.MonacoScaffold.com
Tel: + 1 647 773 8981